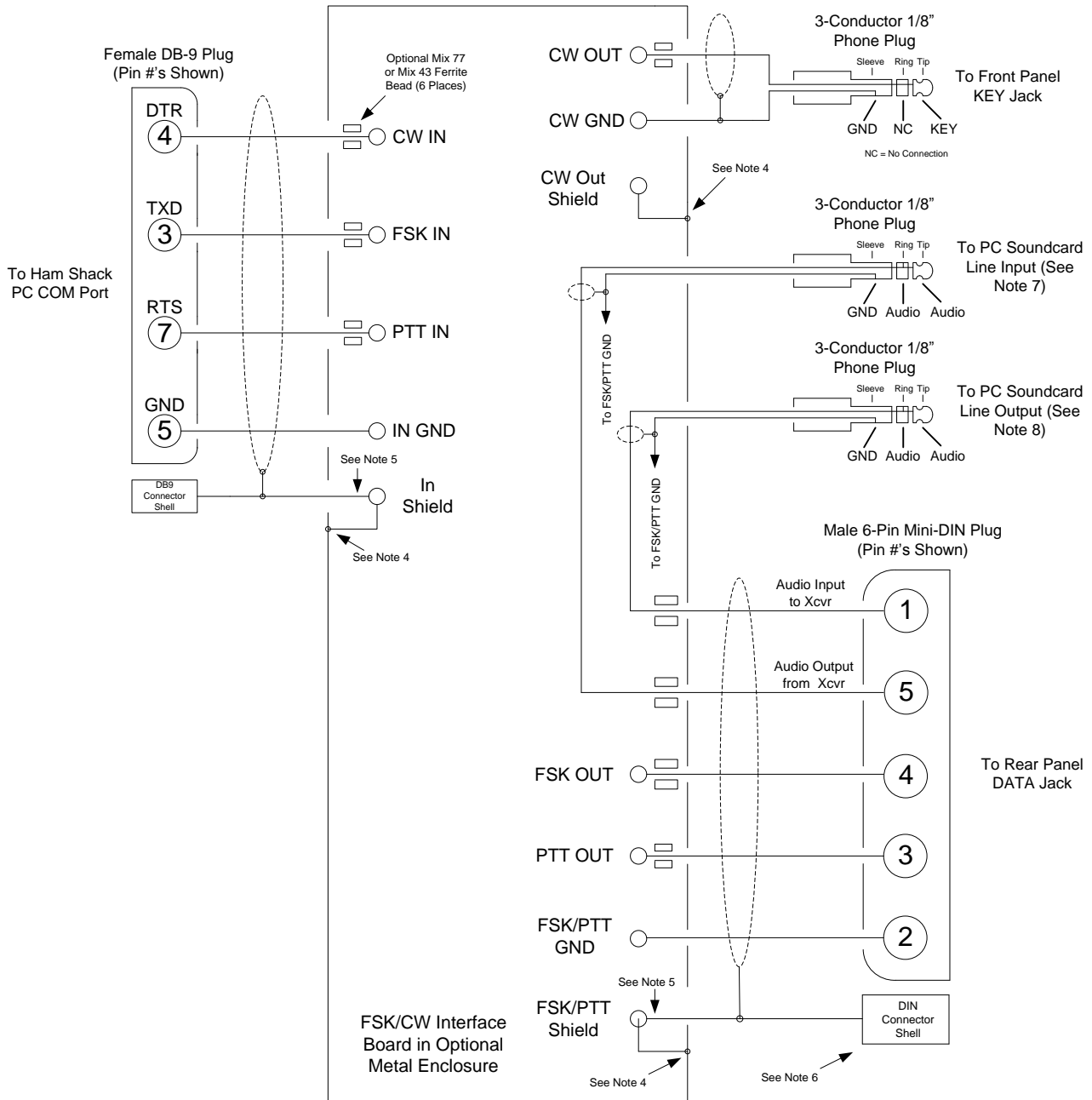


Yaesu FT-450 and TS-450D – Recommended Interconnection Diagram



Notes:

1. The connections shown above are based on available documentation and information from other hams, but have not been verified. Please use your own judgment before making any connections.
2. For CW, you must use a 3-conductor 1/8" phone plug, even though the ring is not connected.
3. For normal RTTY operation, make sure RTTY menu items RTYRPOL (RTTY RX Polarity) and RTYTPOL (RTTY TX Polarity) are set to NOR (Normal) and menu item RTY SFT (RTTY SHIFT) is set to 170. Menu item RTY TON (RTTY TONE) can be set to either 1275 or 2125. The 1275 setting provides a more pleasant listening experience. **IMPORTANT:** Make sure that both your transceiver and MMTTY or other RTTY software are set to the same mark frequency.
4. This connection made by mounting the board with metal standoffs or connecting the interface board mounting hole to the metal interface enclosure. You may also ground shields directly to the metal enclosure, if desired.
5. This connection optional. You may float the shield at the interface by leaving it disconnected and insulated from the metal interface board enclosure.
6. If the cable used with the DIN connector is shielded, you may optionally connect the shield to the DIN connector metal shell. This will ground the shield to the transceiver chassis.
7. For receiving with external RTTY software, e.g., MMTTY, MixW, etc., receive audio must be provided to the line-level input of the PC soundcard. Fixed level receive audio, independent of the AF gain control setting, is available from Pin 5 (Data Out) and Pin 2 (Ground) of the DATA jack. Connect the wires coming from the tip and ring of the PC Line Input plug to the RX Audio line from the xcvr and the associated cable shield to the FSK/PTT GND point, as shown above. This receive audio will support not only RTTY operation, but PSK and other SSB digital modes.
8. Transmit audio for PSK and other SSB digital modes can be provided by connecting the line output of your PC soundcard to Pin 1 (Data In) and Pin 2 (Ground) of the DATA jack. Connect the wires coming from the tip and ring of the PC Line Output plug to the TX Audio line to the xcvr and the associated cable shield to the FSK/PTT GND point, as shown above. This connection is optional and is not required for FSK or CW transmission.