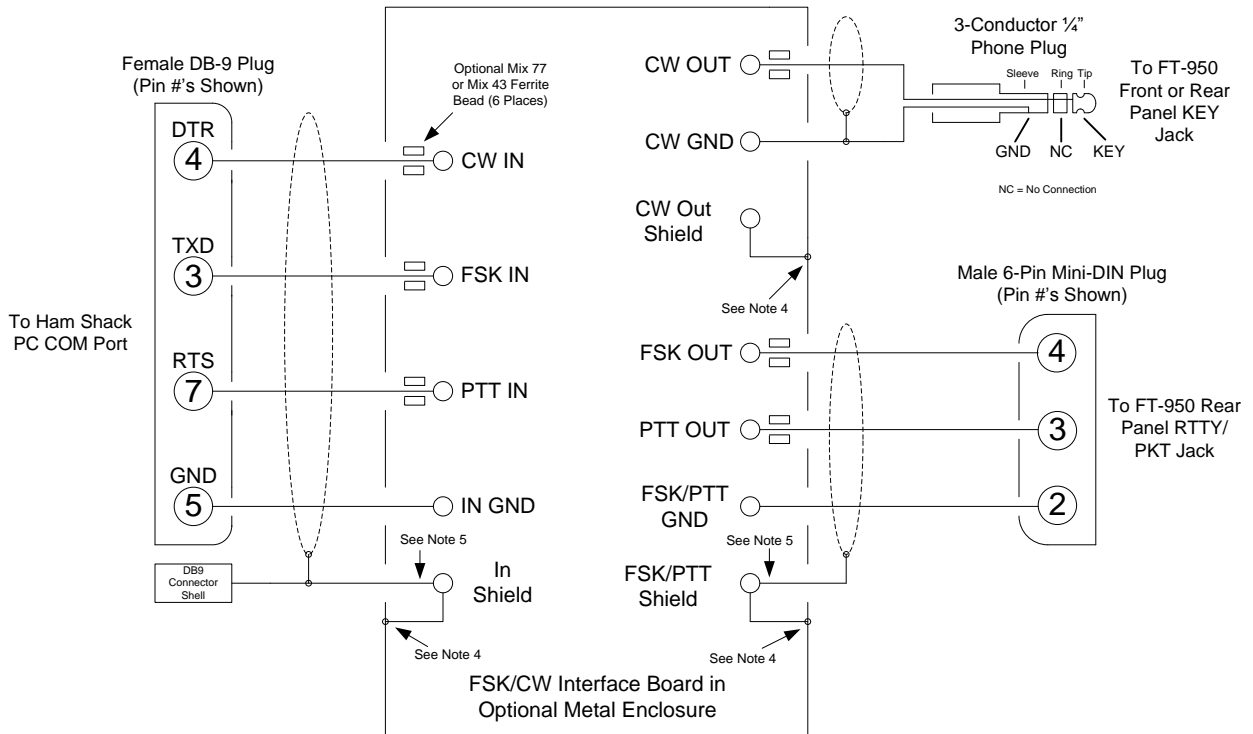


Yaesu FT-950 – Recommended Interconnection Diagram



Notes:

1. The connections shown above are based on available documentation and information from other hams, but have not been verified. Please use your own judgment before making any connections.
2. For CW, you must use a 3-conductor 1/4" phone plug, even though the ring is not connected.
3. Make sure FT-950 RTTY menu items 060 (Transmit Polarity), 062 (RTTY Shift), and 063 (RTTY Tone) are set properly. Recommend settings are 060 = Normal, 062 = 170, and 063 = 1275 or 2125. The 1275 setting provides a more pleasant listening experience. **IMPORTANT:** Make sure that both your FT-950 (Menu Item 063) and MMTTY are set to the same mark frequency.
4. This connection made by mounting the board with metal standoffs or connecting the interface board mounting hole to the metal interface enclosure. You may also ground shields directly to the metal enclosure, if desired.
5. This connection optional. You may float the shield at the interface by leaving it disconnected and insulated from the metal interface board enclosure.