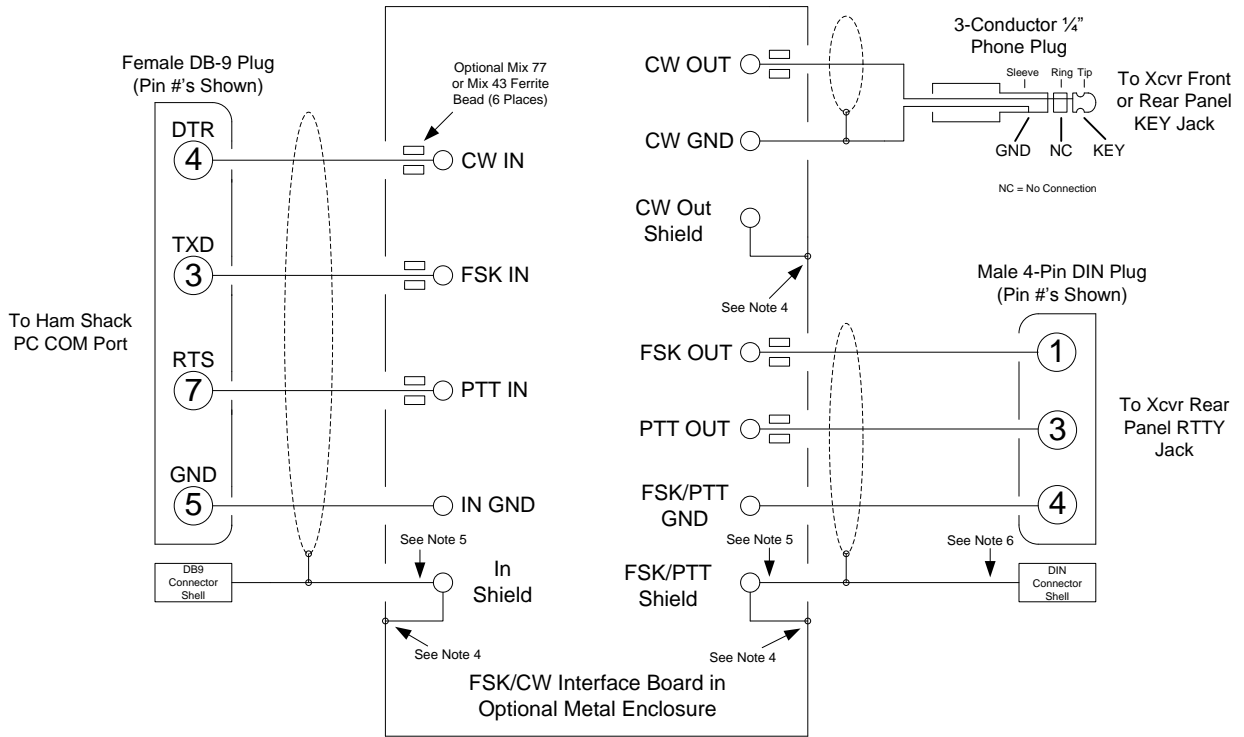


# Yaesu FT-990

## Recommended Interconnection Diagram



**Notes:**

1. The connections shown above are based on available documentation, but have not been verified. Please review and use your own judgment before making any connections.
2. For CW, you must use a 3-conductor 1/4" phone plug, even though the ring is not connected.
3. Make sure the transceiver RTTY menu items are set for normal polarity and 170Hz shift. You may set any desirable mark frequency that is available in both the transceiver and MMTTY or other RTTY software you may be using. **IMPORTANT:** Make sure that both your transceiver and your RTTY software are set to the same mark frequency.
4. This connection made by mounting the board with metal standoffs or connecting the interface board mounting hole to the metal interface enclosure. You may also ground shields directly to the metal enclosure, if desired.
5. This connection optional. You may float the shield at the interface by leaving it disconnected and insulated from the metal interface board enclosure.
6. If the cable used with the DIN connector is shielded, you may optionally connect the shield to the DIN connector metal shell. This will ground the shield to the transceiver chassis.
7. If using external RTTY software for receive, receive audio can be obtained from the rear panel AF OUT connector.