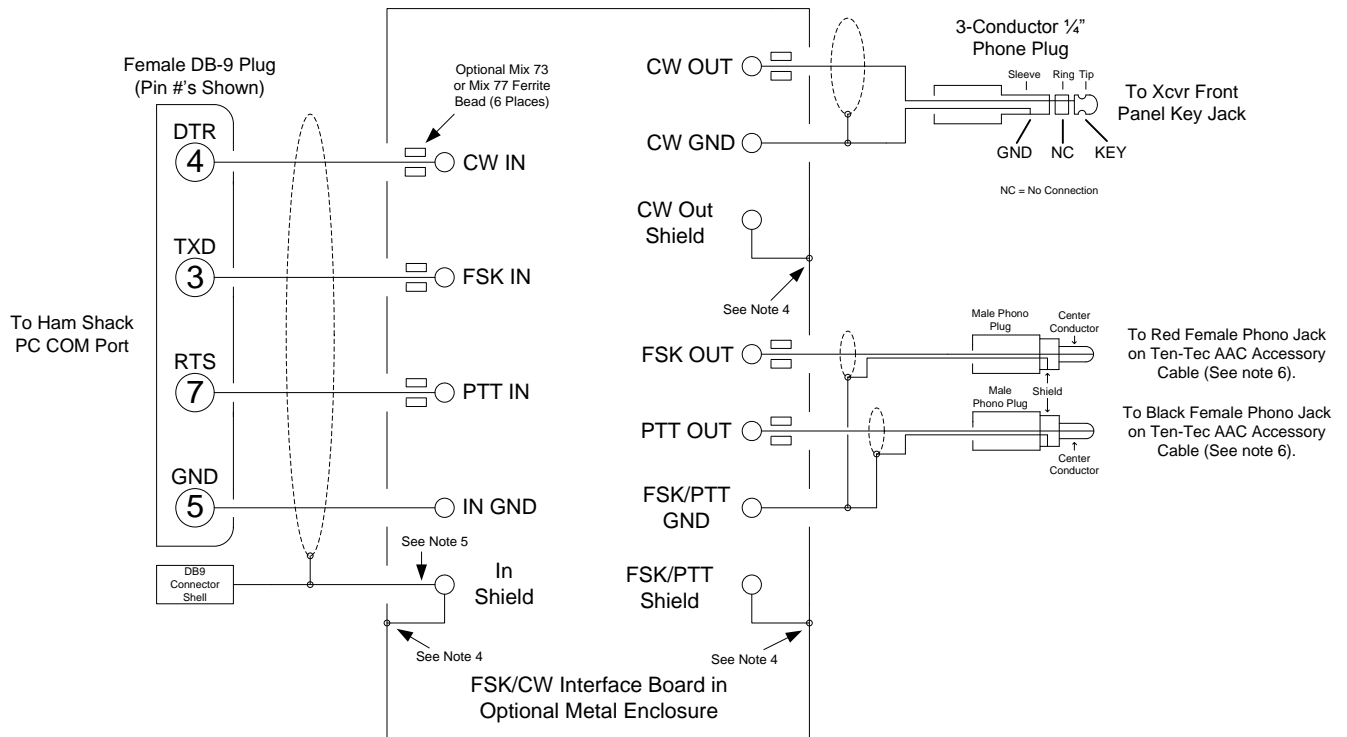


Ten-Tec OMNI VII Transceiver Recommended Interconnection Diagram



Notes:

1. The connections shown above are based on available documentation and user input. Please review and use your own judgment before making any connections.
2. For CW, you must use a 3-conductor 1/4" phone plug, even though the ring is not connected.
3. Make sure the transceiver RTTY menu items are set for normal polarity and 170Hz shift. You may set any desirable mark frequency that is available in both the transceiver and MMTTY or other RTTY software you are using. **IMPORTANT:** Make sure that both your transceiver and RTTY software are set to the same mark frequency.
4. This connection made by mounting the board with metal standoffs or connecting the interface board mounting hole to the metal interface enclosure. You may also ground shields directly to the metal enclosure, if desired.
5. This connection optional. You may float the shield at the interface by leaving it disconnected and insulated from the metal interface board enclosure.
6. To connect the FSK and PTT keying lines to the OMNI VII use the ACC connector accessory cable (Ten-Tec p/n 46176) that is supplied with the transceiver. Connect the FSK OUT phono plug from the interface to the RED female phono jack on the ACC accessory cable. Connect the PTT OUT phono plug from the interface to the BLACK female phono jack on the ACC accessory cable.
7. If using external RTTY software for receive, receive audio can be obtained from YELLOW female phono jack on the ACC accessory cable.