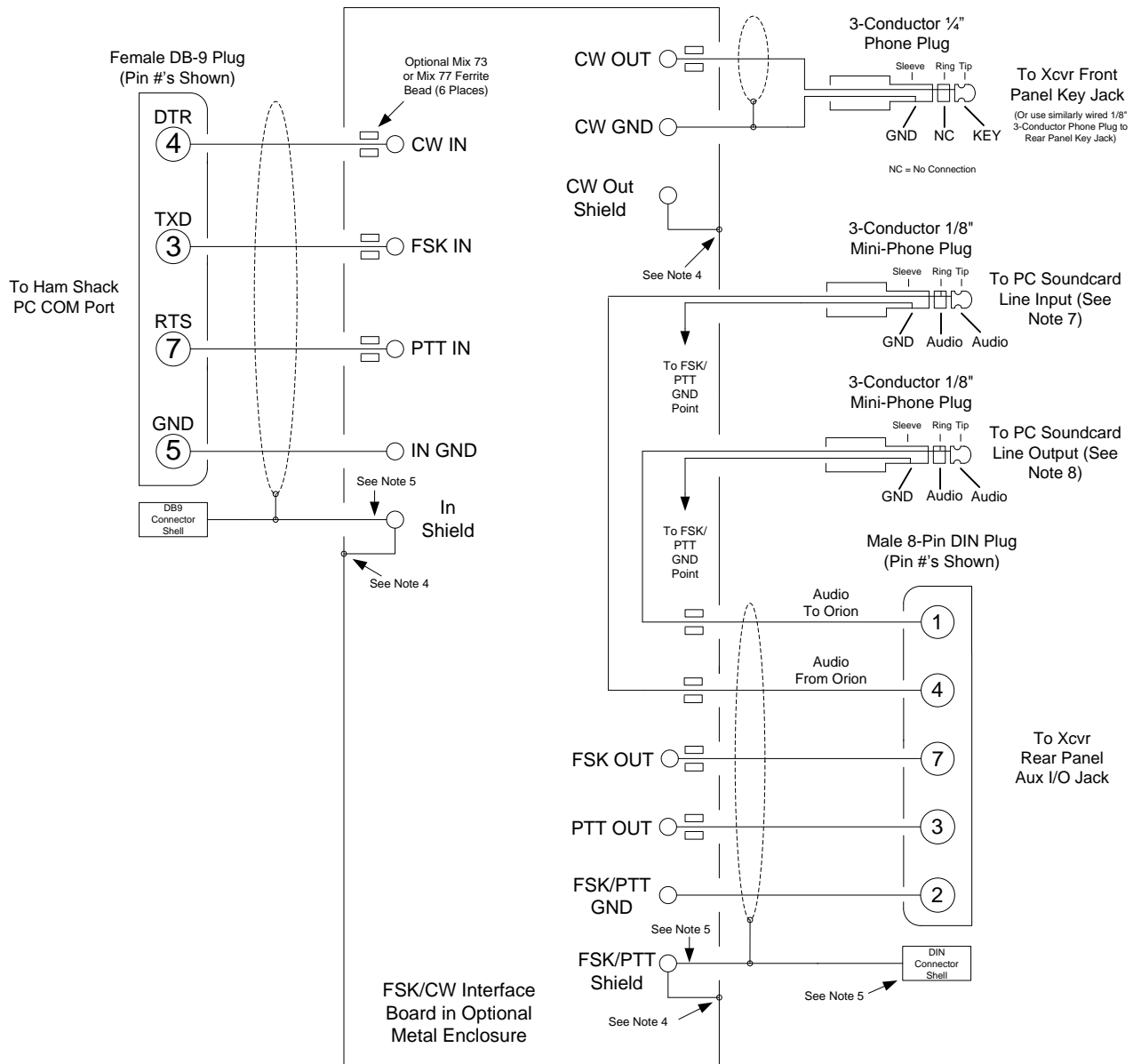


Ten-Tec Orion Transceiver Recommended Interconnection Diagram



Notes:

1. The connections shown above are based on available documentation but have not been verified. Please review and use your own judgment before making any connections. Early model Orion's must be modified to accept open-collector FSK keying.
2. For CW, you must use a 3-conductor 1/4" phone plug, even though the ring is not connected.
3. Make sure the transceiver RTTY menu items are set for normal polarity and 170Hz shift. You may set any desirable mark frequency that is available in both the transceiver and MMTTY or other RTTY software you are using. **IMPORTANT:** Make sure that both your transceiver and RTTY software are set to the same mark frequency.
4. This connection made by mounting the board with metal standoffs or connecting the interface board mounting hole to the metal interface enclosure. You may also ground shields directly to the metal enclosure, if desired.
5. This connection optional. You may float the shield at the interface by leaving it disconnected and insulated from the metal interface board enclosure.
6. For receiving with external RTTY software, e.g. MMTTY, MixW, etc, receive audio must be provided to the line-level input of the PC soundcard. It is preferable to obtain this receive audio signal from Pin 4 or Pin 6 (AF Out) and Pin 2 (AF Ground) of the Aux I/O jack as shown above. This receive audio will support RTTY operation and PSK and other SSB digital modes as well.
7. Transmit audio for PSK and other SSB digital modes can be provided by connecting the line output of your PC soundcard to Pin 1 of the Aux I/O jack, as shown above.