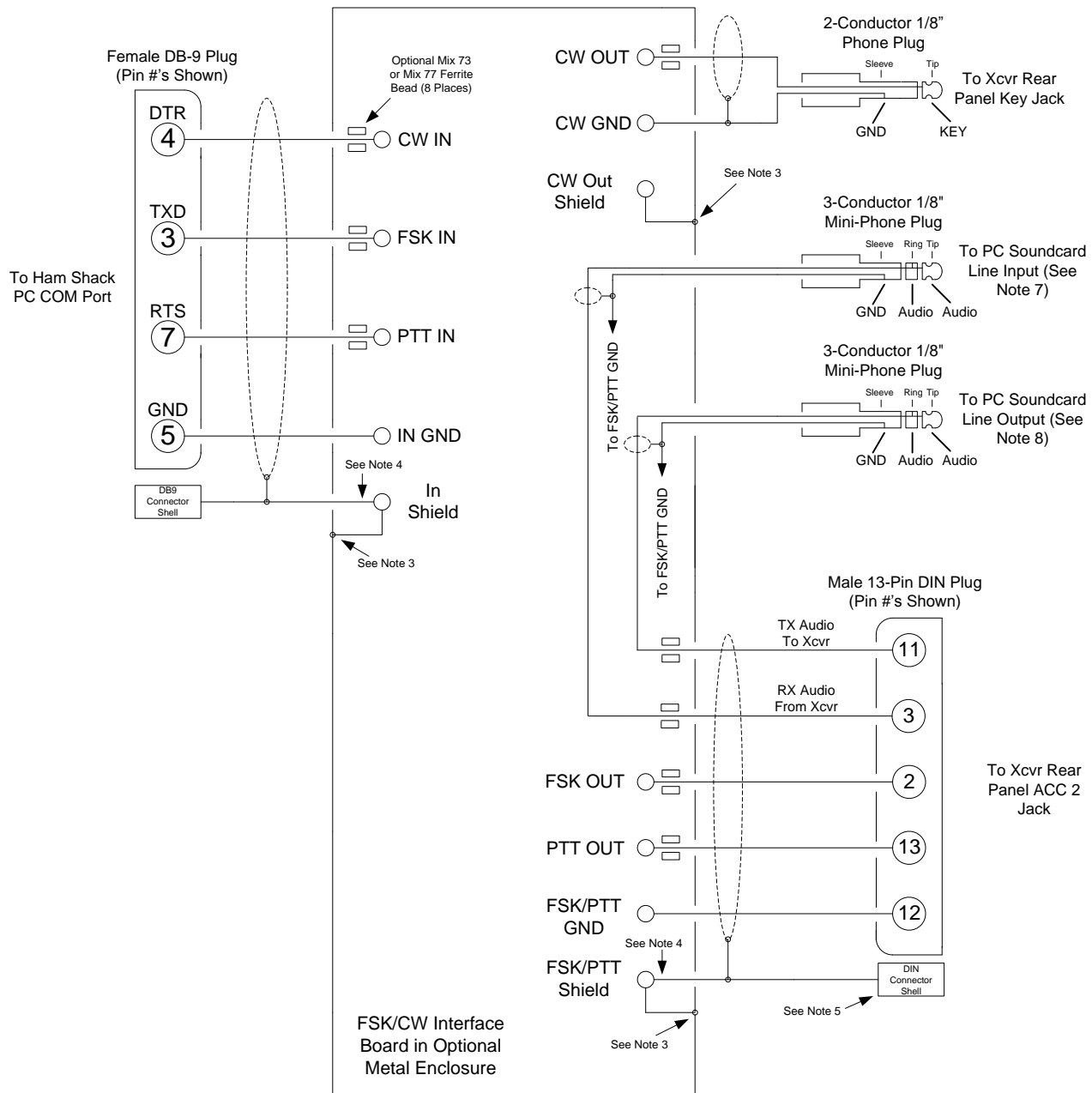


KENWOOD TS-590S Transceiver Recommended Interconnection Diagram



Notes:

1. The connections shown above are based on available documentation, but have not been verified. Please review and use your own judgment before making any connections.
2. Make sure the transceiver RTTY menu items are set for FSK operation, normal polarity, and 170Hz shift. You may set any desirable mark frequency that is available in both the transceiver and MMTTY or other RTTY software you are using. **IMPORTANT:** Make sure that both your transceiver and RTTY software are set to the same mark frequency.
3. This connection made by mounting the board with metal standoffs or connecting the interface board mounting hole to the metal interface enclosure. You may also ground shields directly to the metal enclosure, if desired.
4. This connection optional. You may float the shield at the interface by leaving it disconnected and insulated from the metal interface board enclosure.
5. If the cable used with the DIN connector is shielded, you may optionally connect the shield to the DIN connector metal shell. This will ground the shield to the transceiver chassis.
6. Receive audio, for MMTTY or other RTTY software, can be obtained from Pin 3 (ANO) and Pin 12 (Ground) of the ACC 2 jack. Connect the wires coming from the tip and ring of the PC Line Input plug to the RX Audio line from the xcvr and the associated cable shield to the FSK/PTT GND point, as shown above.
7. Transmit audio for PSK and other SSB digital modes can be provided by connecting the line output of your PC soundcard to Pin 11 (ANI) and Pin 12 (Ground) of the ACC 2 jack. Connect the wires coming from the tip and ring of the PC Line Output plug to the TX Audio line to the xcvr and the associated cable shield to the FSK/PTT GND point, as shown above. This transmit audio connection is optional and is not required for FSK or CW transmission.